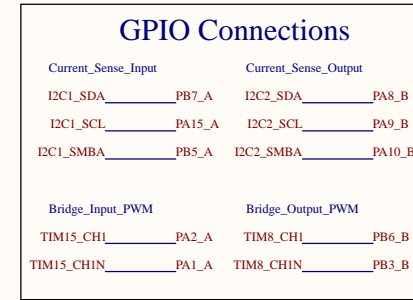
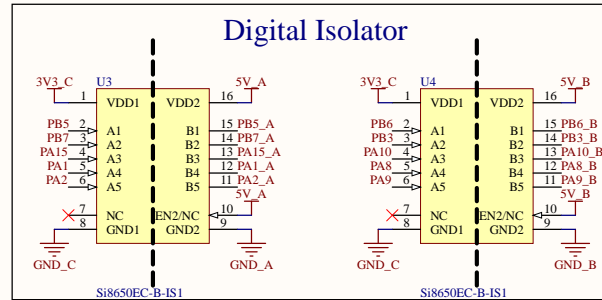
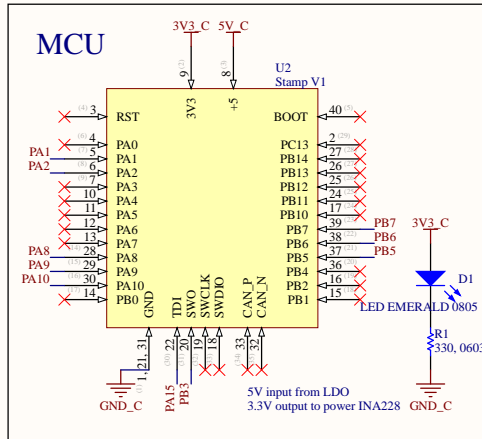
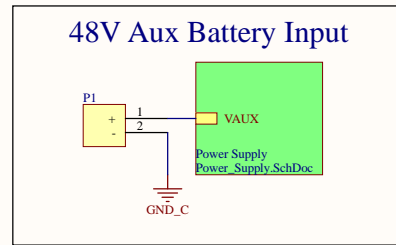


# MPPT V1

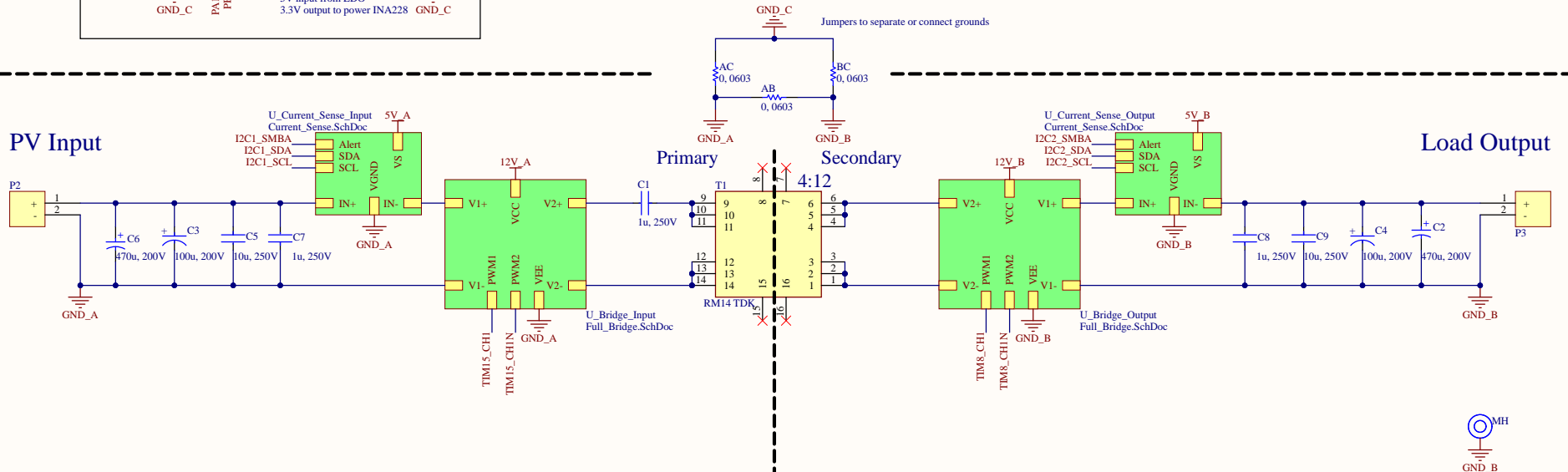


Isolation & Grounding  
 PV: Ground A Reference  
 Load: Ground B Reference  
 Input Aux Power: Ground C Reference

Powered by 48V Auxiliary Battery



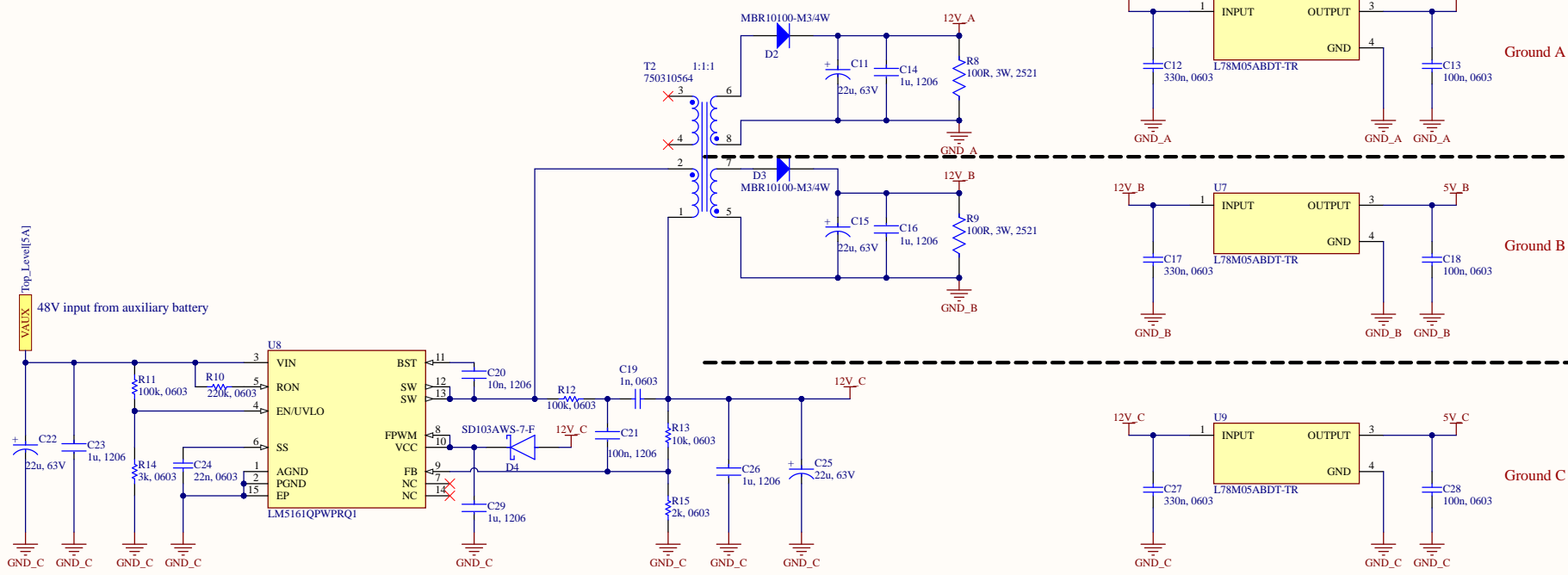
## Star Ground Connection



Title		
Size	Number	Revision
A3		
Date:	7/24/2024	Sheet of
File:	C:\Users\...Top_Level.SchDoc	Drawn By: Junjie Wu

## Flyback Buck Converter

## Voltage Regulator

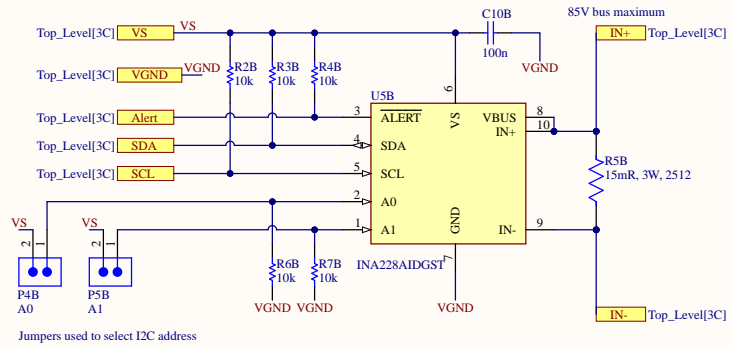


Title		
Size	Number	Revision
A3		
Date:	7/24/2024	Sheet of
File:	C:\Users\...Power_Supply.SchDoc	Drawn By: Junjie Wu



# Current Sense

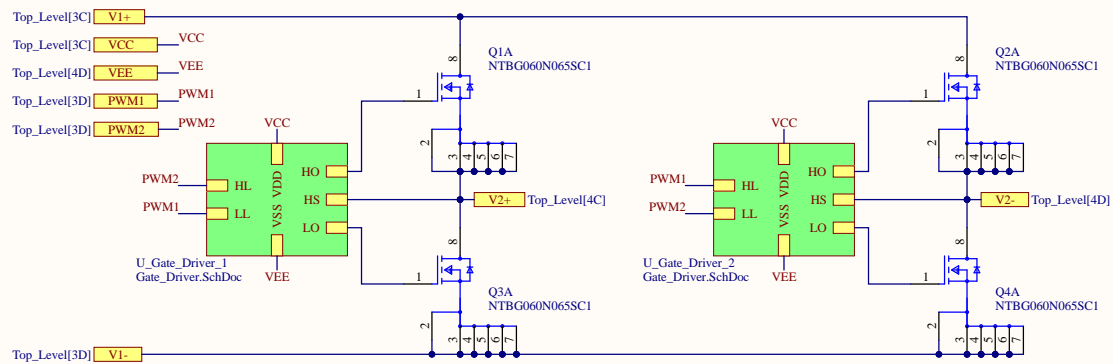
All packages are 0603 except shunt resistor



Jumpers used to select I2C address

Title		
Size A3	Number	Revision
Date: 7/24/2024	Sheet of	
File: C:\Users\...Current_Sense.SchDoc	Drawn By:	Junjie Wu

# Full-Bridge

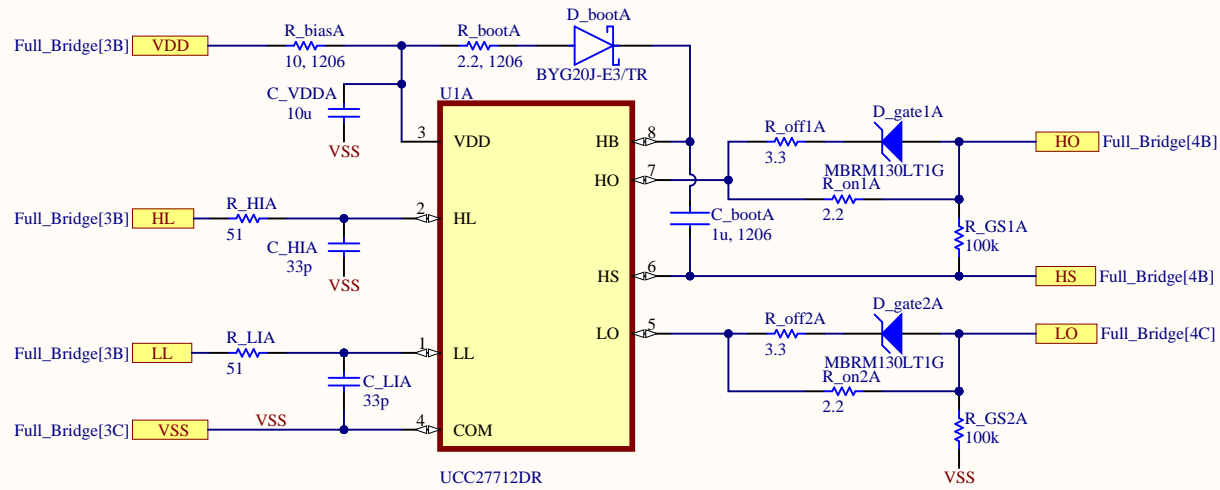


Title		
Size A3	Number	Revision
Date: 7/24/2024	File: C:\Users\...Full_Bridge.SchDoc	Sheet of 1 Drawn By: Junjie Wu



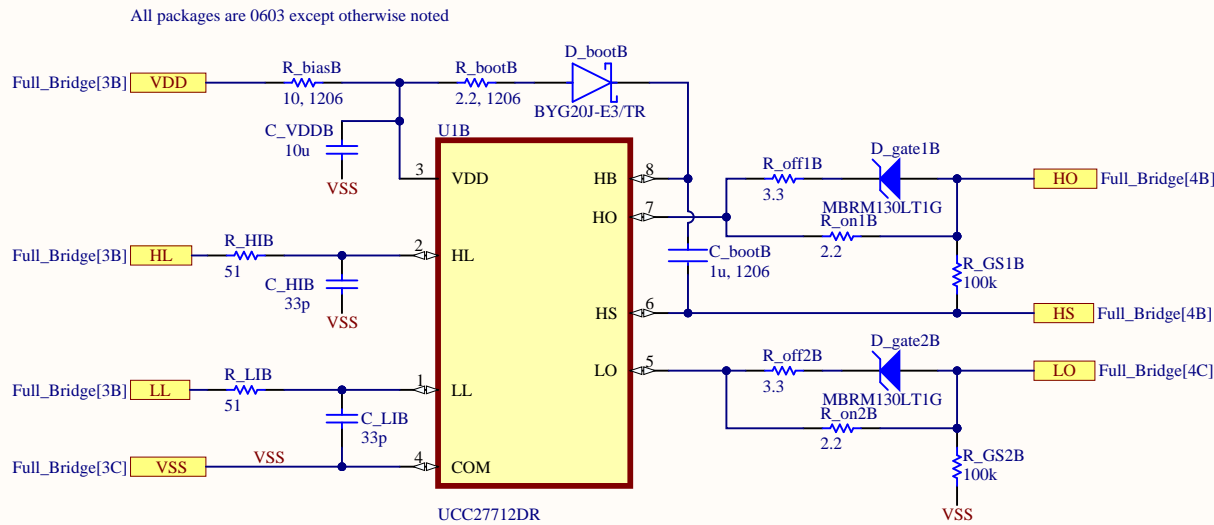
# Gate Driver

All packages are 0603 except otherwise noted



Title		
Size	Number	Revision
A4		
Date:	7/24/2024	Sheet of
File:	C:\Users\...\Gate_Driver.SchDoc	Drawn By: Junjie Wu

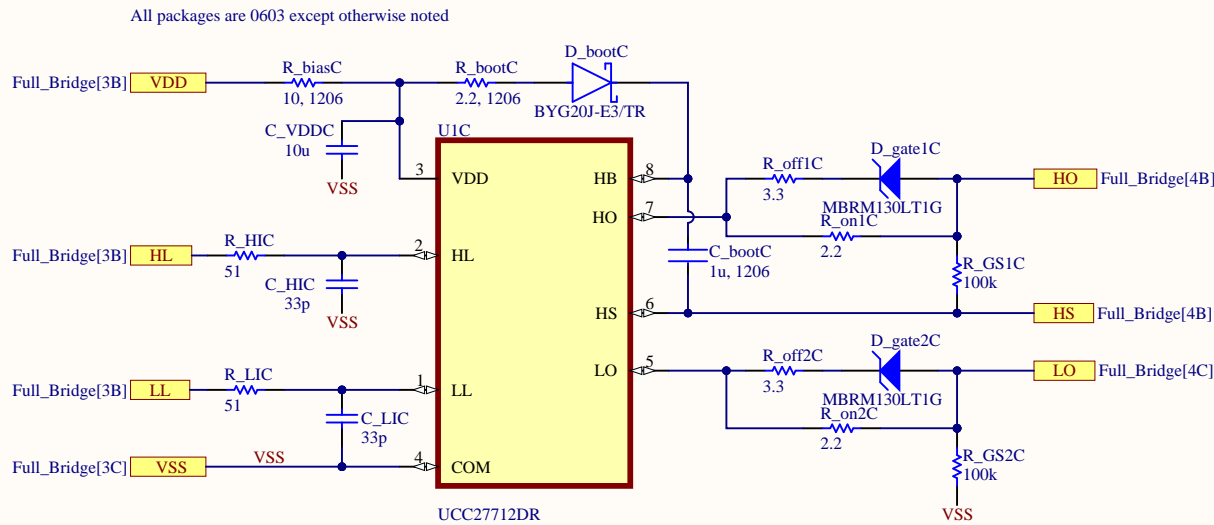
# Gate Driver



Title		
Size	Number	Revision
A4		
Date:	7/24/2024	Sheet of
File:	C:\Users\...\Gate_Driver.SchDoc	Drawn By: Junjie Wu

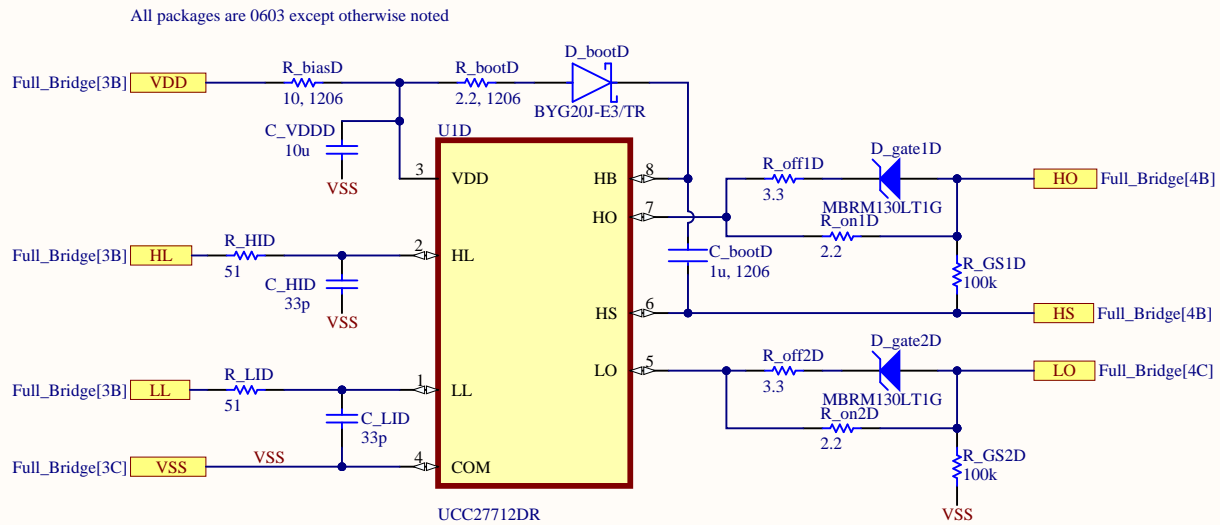


# Gate Driver



Title		
Size	Number	Revision
A4		
Date:	7/24/2024	Sheet of
File:	C:\Users\...\Gate_Driver.SchDoc	Drawn By: Junjie Wu

# Gate Driver



Title		
Size	Number	Revision
A4		
Date:	7/24/2024	Sheet of
File:	C:\Users\...\Gate_Driver.SchDoc	Drawn By: Junjie Wu